

# Abc Car Parts Alphabet For Kids: The Ultimate Guide to Automotive Education

Welcome to the wonderful world of cars! Are you ready to embark on an exciting adventure where you'll discover the alphabet and learn all about the fascinating parts that make up a car? Get ready to fasten your seatbelts and let's get started on this educational journey!



**ABC Car Parts Alphabet Book For Kids: Fun auto garage for baby children toddler drivers and little mechanics! Contains Facts About Automotive and Part Vehicles ... Dumper Coloring Pages For Kids)**

by Enchanted Pencil Publishing

★★★★☆ 4 out of 5

Language : English

File size : 3787 KB

Print length : 27 pages

Lending : Enabled

Screen Reader : Supported



**A is for Axle**



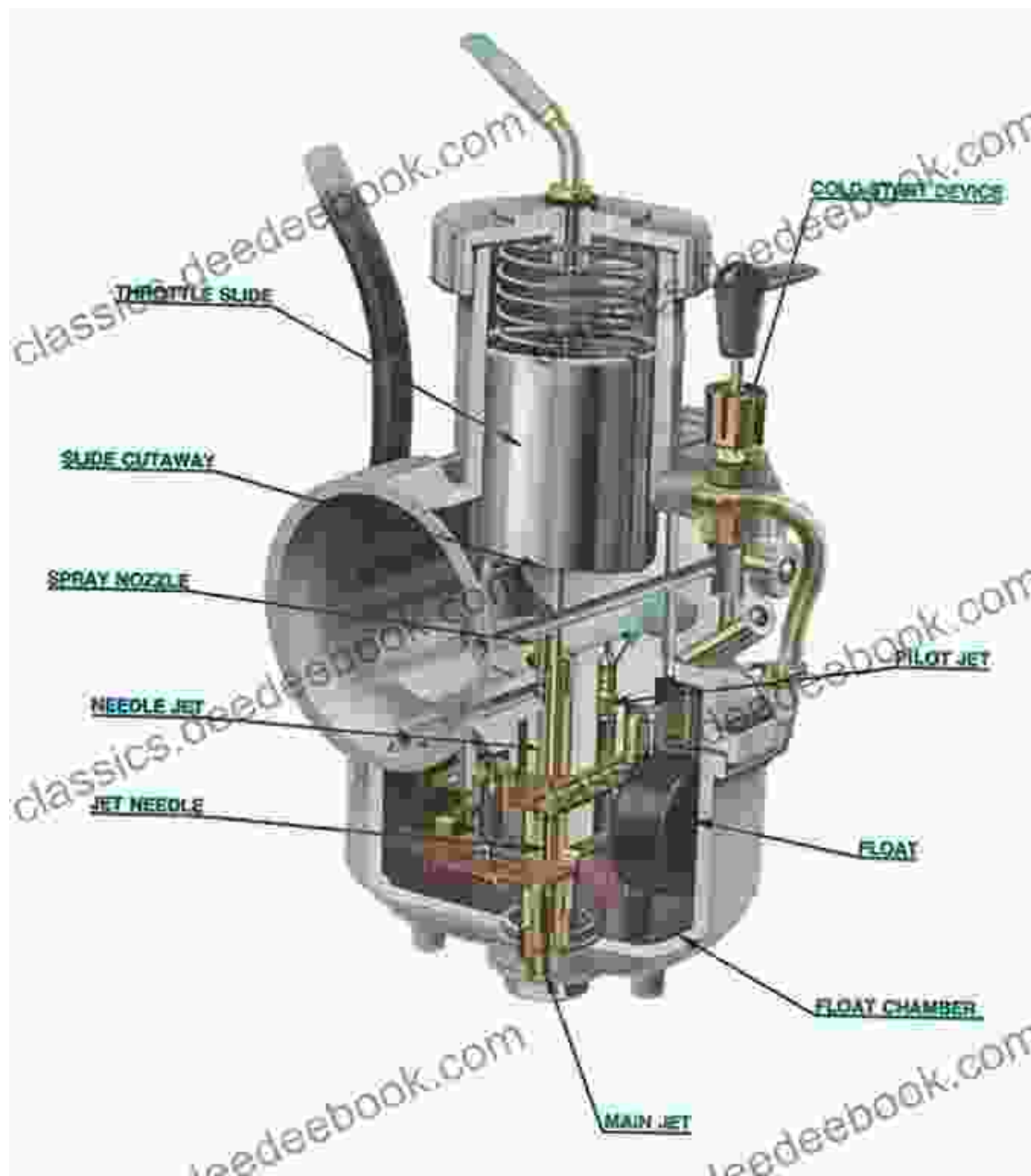
Picture this: when you turn the steering wheel, something has to make the wheels move in the direction you want to go. That's the job of the axle! It's a long, sturdy rod that connects the wheels on the same side of the car and allows them to turn together.

**B is for Battery**



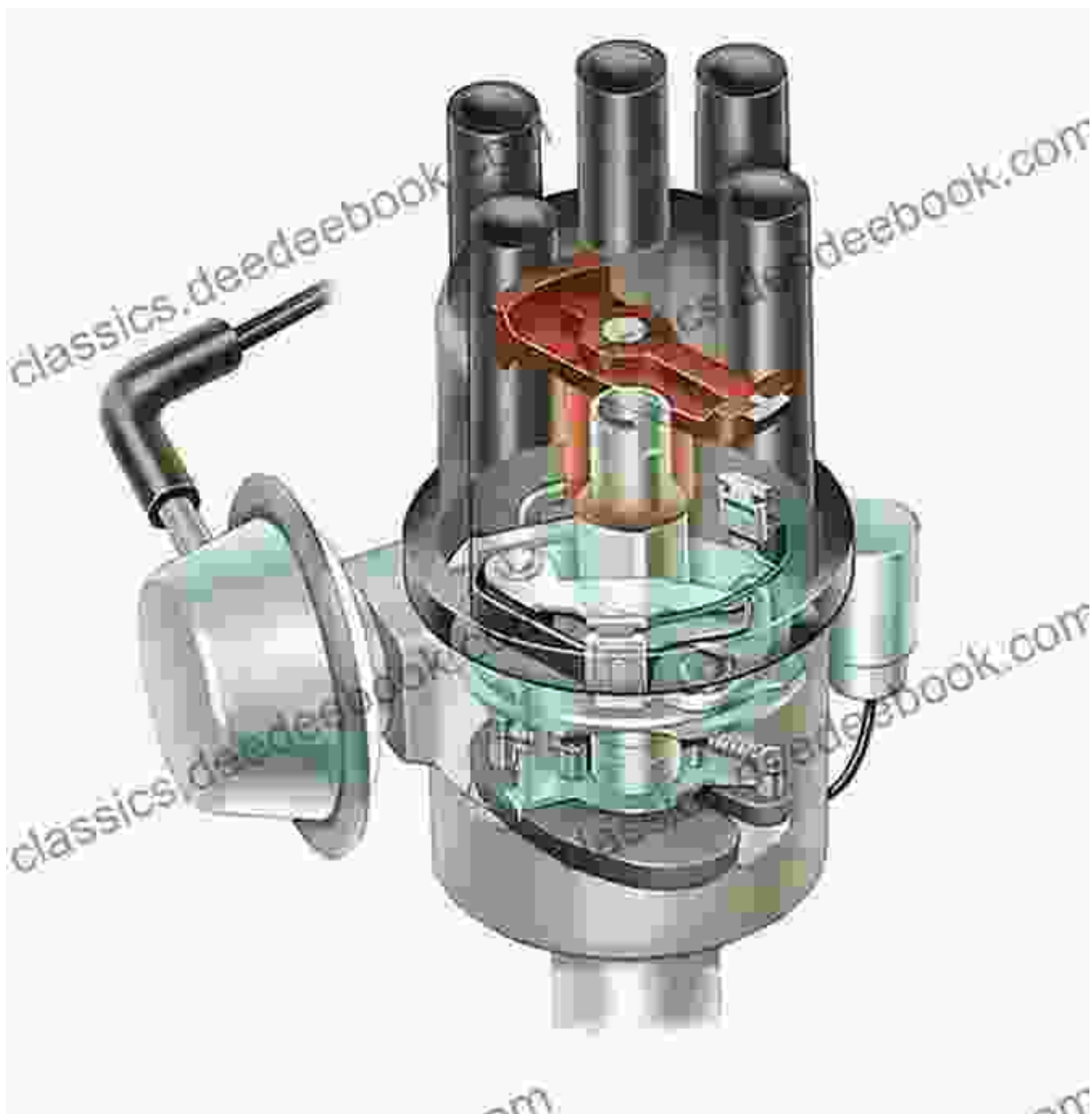
Just like our bodies need food to function, cars need batteries to provide them with energy. The battery stores electricity and supplies power to different parts of the car, like the lights, radio, and even the engine.

**C is for Carburetor**



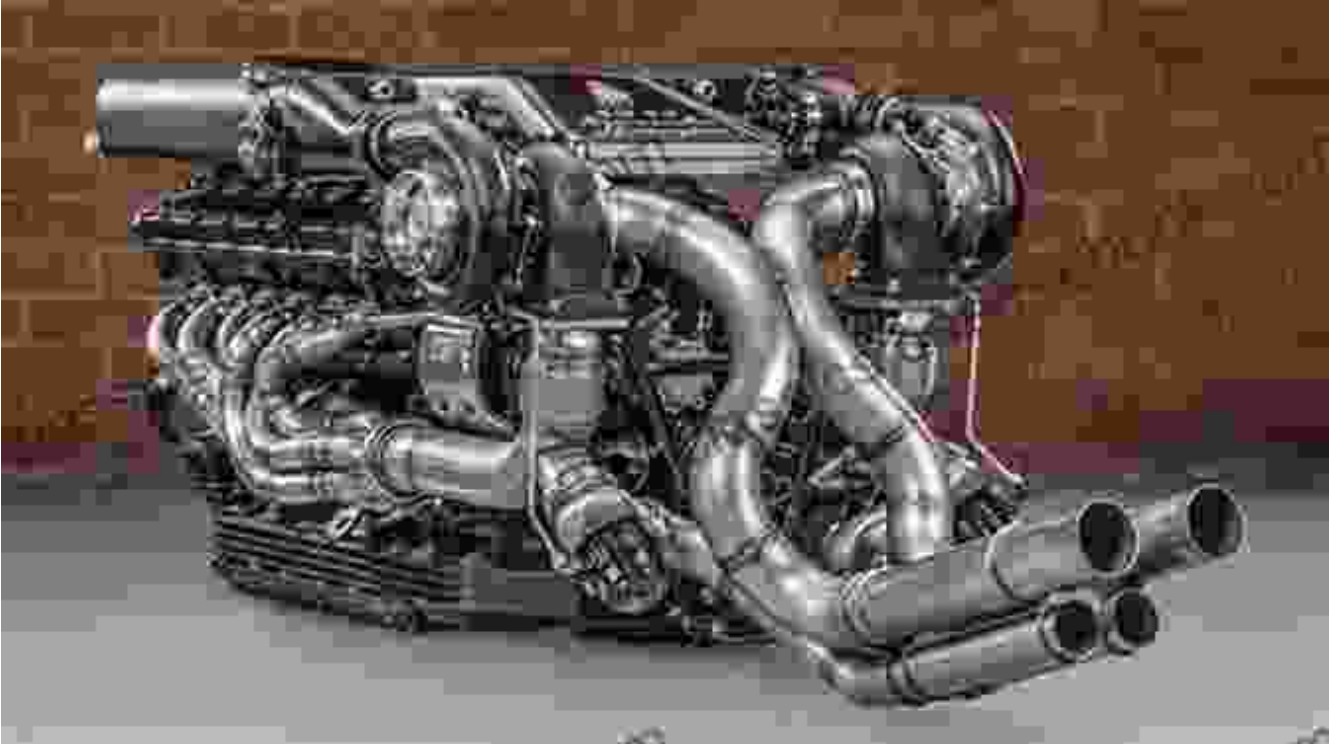
In the world of cars, the carburetor plays a crucial role in mixing just the right amount of air and fuel. This mixture is then sent to the engine, where it's burned to create the power that makes the car move.

## **D is for Distributor**



Think of the distributor as the conductor of a musical orchestra. In a car, it's responsible for sending electrical signals to the spark plugs at precisely the right time. This ensures that each cylinder in the engine fires up in the correct order.

**E is for Engine**



This is the heart of the car! The engine is a powerful machine that converts fuel into motion. It's made up of cylinders, pistons, and many other important parts that work together to create the force that drives the car forward.

**F is for Fuel Filter**



Just like we need clean air to breathe, cars need clean fuel to run smoothly. The fuel filter plays a vital role in removing dirt and impurities from the gasoline or diesel, ensuring that only purified fuel reaches the engine.

**G is for Generator**



Think of the generator as the power station of the car. It's responsible for generating electricity while the car is running. This electricity is used to recharge the battery and power all the electrical components in the car, like the lights and dashboard.

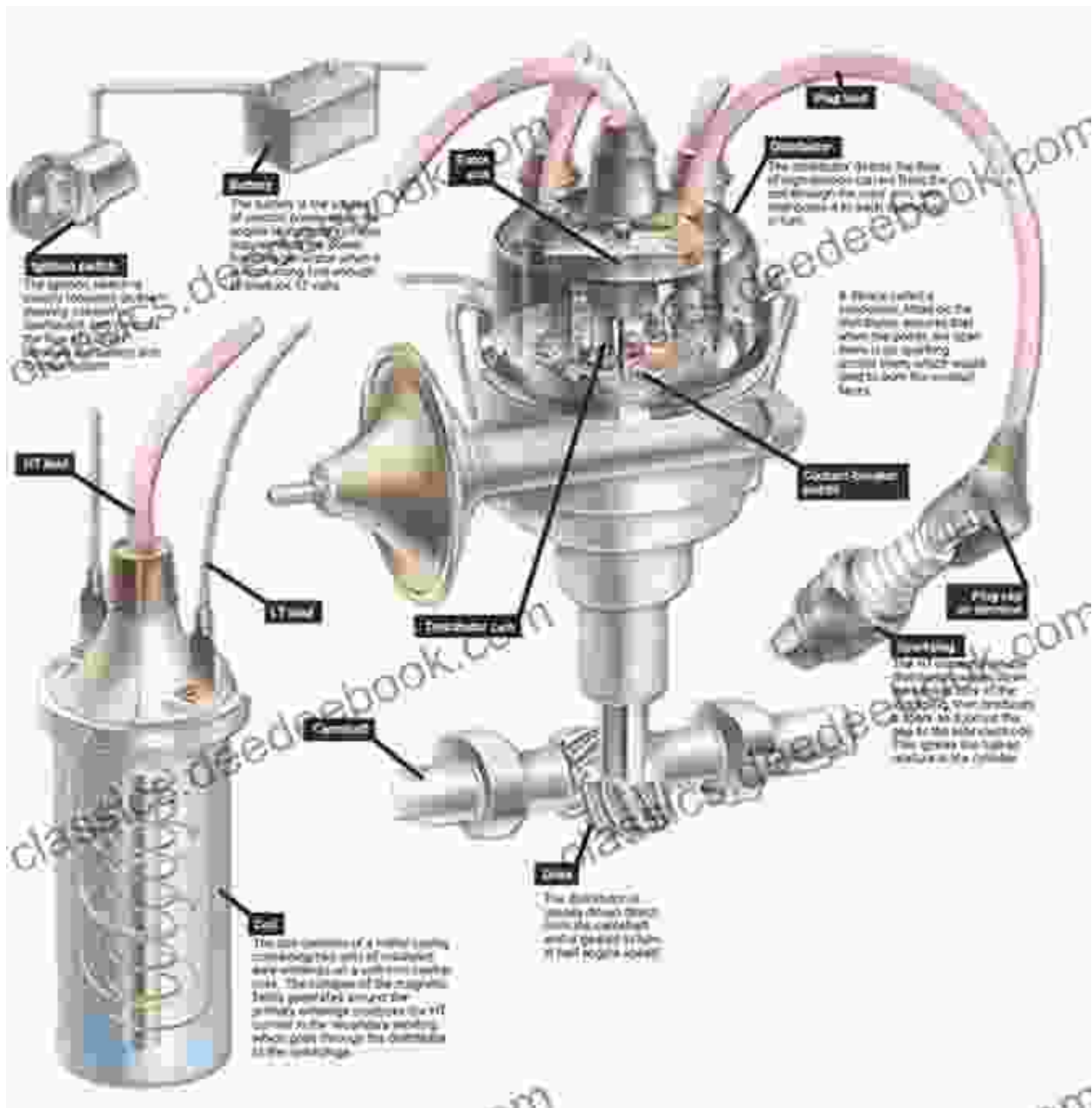
## **H is for Headlights**





These are the eyes of the car! Headlights provide illumination for driving in the dark or in low-visibility conditions. They help you see where you're going and make sure you're visible to other drivers.

## **I is for Ignition System**



This system is responsible for starting the car and keeping the engine running. It includes components like the spark plugs, distributor, and ignition coil, which work together to create the spark that ignites the fuel in the engine cylinders.

### J is for Jack



Every car has a trusty companion called the jack. It's a lifting device used to raise the car off the ground when necessary. This is especially helpful when you need to change a flat tire or perform maintenance tasks.

**K is for Keys**



These are the magical tools that unlock the door to your car and allow you to start the engine. Keys come in different shapes and sizes, and some even have electronic features that provide security and convenience.

## **L is for Lights**



Cars have a variety of lights to ensure safety and visibility. Headlights, taillights, brake lights, and turn signals are all essential for communicating with other drivers and pedestrians.

### **M is for Muffler**



The muffler plays a crucial role in reducing noise from the exhaust system. It's designed to dampen and quiet the loud sounds produced by the engine and exhaust gases.

### **N is for Navigation System**



In today's world, navigation systems have become indispensable. They provide real-time directions, traffic updates, and even recommendations on the best routes to take. It's like having a personal guide with you on every journey.

**O is for Oil Filter**



Just like our bodies need clean blood to function properly, cars need clean oil to keep their engines running smoothly. The oil filter removes harmful particles and contaminants from the oil, ensuring that it remains clean and free of impurities.

## **P is for Piston**





Pistons are the powerhouses of the engine. They move up and down inside the cylinders, compressing the air-fuel mixture and generating the force that drives the crankshaft.

### **Q is for Quad Cam**



In the world of engines, a quad cam refers to a design that uses four camshafts to control the opening and closing of the valves. This configuration enhances engine performance by optimizing the flow of air and fuel into and out of the cylinders.

## **R is for Radiator**



The radiator plays a vital role in keeping the engine cool. It's a network of tubes and fins that allows coolant to circulate and dissipate heat from the engine. This prevents the engine from overheating and ensures its efficient operation.

### **S is for Suspension System**



Imagine driving on a bumpy road without a suspension system. It would be a very uncomfortable ride! The suspension system absorbs shocks and vibrations caused by uneven road surfaces, providing a smooth and stable ride for passengers.

## **T is for Tires**



Tires are the only part of the car that's in constant contact with the ground. They provide traction, allowing the car to move and turn. Tires come in various sizes and types, designed to suit different driving conditions and vehicle performance requirements.

### **U is for Upholstery**



Upholstery refers to the materials used to cover the seats, door panels, and other interior surfaces of the car. It not only enhances the aesthetics of the interior but also provides comfort and support for passengers.

**V is for Valve**



Valves play a crucial role in the engine's operation. They control the flow of air and fuel into and out of the cylinders. The timing and duration of valve opening and closing are precisely controlled to optimize engine performance and efficiency.

### **W is for Water Pump**



The water pump is an essential component of the cooling system. It circulates coolant throughout the engine and radiator



### **ABC Car Parts Alphabet Book For Kids: Fun auto garage for baby children toddler drivers and little mechanics! Contains Facts About Automotive and Part Vehicles ... Dumper Coloring Pages For Kids)**

by Enchanted Pencil Publishing

★★★★☆ 4 out of 5

Language : English

File size : 3787 KB

Print length : 27 pages

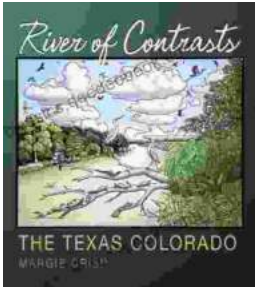
Lending : Enabled

Screen Reader : Supported



FREE

DOWNLOAD E-BOOK



## The Texas Colorado River: A Vital Resource for Central Texas Sponsored by the Meadows Center for Water and the Environment

The Texas Colorado River is an 862-mile-long river that flows from West Texas to the Gulf of Mexico. It is the longest river in Texas and the 18th-longest river in the...



## Crochet Irish Projects For Beginners: A Comprehensive Guide to the Art of Traditional Lace

Crochet Irish lace, with its intricate patterns and delicate textures, is a captivating form of fiber art that has graced the world of fashion and home decor for centuries....